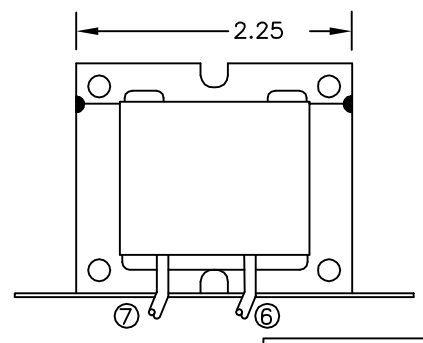
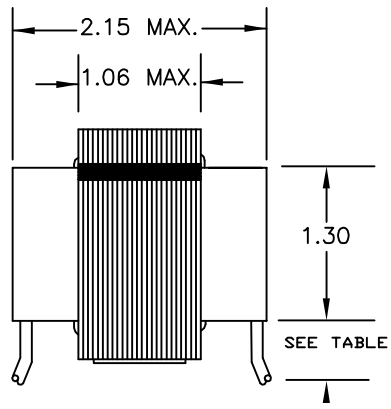
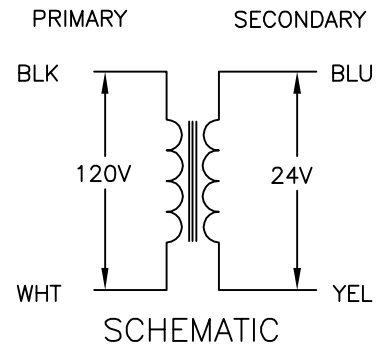
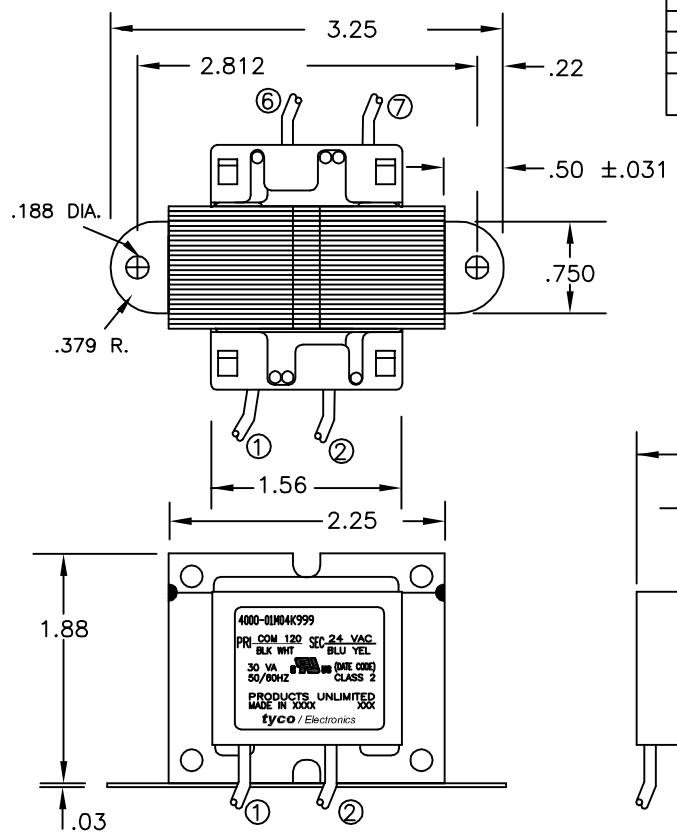


THIS DRAWING IS UNPUBLISHED. RELEASED FOR PUBLICATION
 © COPYRIGHT - BY TYCO ELECTRONICS CORPORATION. ALL RIGHTS RESERVED.

LOC	DIST	REVISIONS			
P	LTR	DESCRIPTION	DATE	DWN	APVD
GZ	00	A	NEWFORMAT & EC0720-0089-04	13FEB04	MD KH

ALL LEADS 18AWG--UNLESS OTHERWISE SPECIFIED						NOTES				CERTIFICATION:			
PRIMARY						1. DIMENSIONS FOR REFERENCE ONLY.				UL & CUL FILE NO. E87824			
						2. ALL LEADS +1"/-0" TOL.				SECONDARY			
						3. STRIP TOL. ±1/32							
						4. WINDING PROTECTION--INHERENTLY LIMITING							
LEAD NO.	1	2	3	4	5								
VOLTAGE	COM	120											
COLOR	BLK	WHT											
LENGTH	12.0	12.0											
STRIP LENGTH	.50	.50											
LEAD NO.	6	7	8	9									
VOLTAGE	24	VAC											
COLOR	BLU	YEL											
LENGTH	12.0	12.0											
STRIP LENGTH	.50	.50											



4000-01M04K999
 PRI COM 120 SEC 24 VAC
 BLK WHT BLU YEL
 30 VA (MIE CODE)
 50/60HZ CLASS 2
 PRODUCTS UNLIMITED
 MADE IN USA
 tyco / Electronics

CUST. NO. -		TYCO PART NUMBER 1-1611450-4			
CHK K.HOLSCHUH 13FEB04		NAME -			
APVD K.HOLSCHUH 13FEB04		APPLICATION SPEC -			
SIZE A3	CAGE CODE 00779	DRAWING NO. C=4000-01M04K999	RESTRICTED TO -		
CUSTOMER DRAWING		SCALE NTS	SHEET 1 OF 1	REV A	

DIMENSIONS: INCHES		TOLERANCES UNLESS OTHERWISE SPECIFIED:	
0	PLC	±	-
1	PLC	±	-
2	PLC	±	-
3	PLC	±	-
4	PLC	±	-
	ANGLES	±	-
MATERIAL	-	FINISH	-